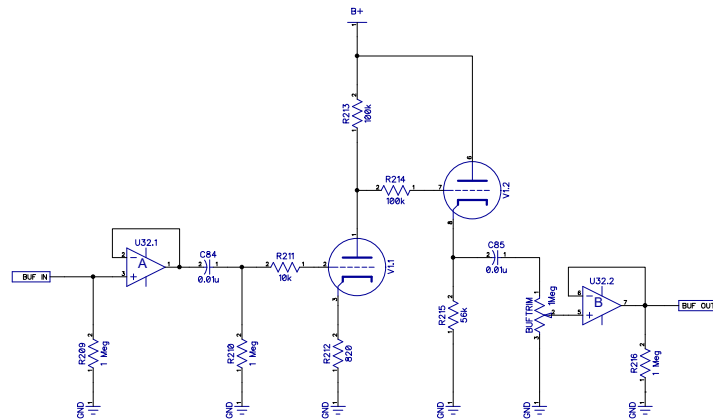
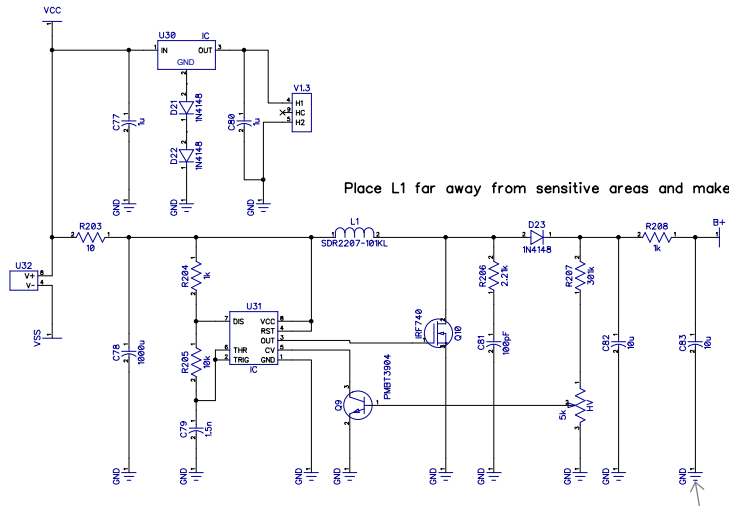


REVISIONS				
ZONE	REV	DESCRIPTION	DATE	APPROVED



Use an entirely separate trace for VCC connection to this power supply.
 This power supply must remain independent from the others due to current demand and noise.



Place L1 far away from sensitive areas and make sure to keep the current loop SMALL.

Keep this ground loop independent. Return the tube ground current to this point then connect to master ground.

